



This data sheet
interacts with

PRT & GV3
Catalogues

HepcoMotion®

Floating Bearings

HepcoMotion® Floating Bearings are designed to provide axial movement (float) of the V position, this is especially useful where two rings or V slides are mounted in parallel. The axial movement compensates for parallelism tolerances between the opposing V's, reducing the potential of additional loading and helping to maintain a consistent running quality.

The floating bearings are available in three basic sizes to work easily with the existing GV3 and PRT ranges. They are available in two stud lengths covering most thicknesses of carriage or mounting plate, the short stud version being compatible with Hepco carriage plates*. Both versions are available in **Concentric type (C)**, which are fixed providing a datum (in radial direction) for the system, **Eccentric (E)** and **Double Eccentric type (DE)** to enable system adjustment, with the DE version having sufficient stroke to permit disengagement of a ring encircled by bearings.

All bearings are greased for life internally. Customers are strongly advised to provide lubrication to the interface between the bearings and slide to increase load capacity and life.

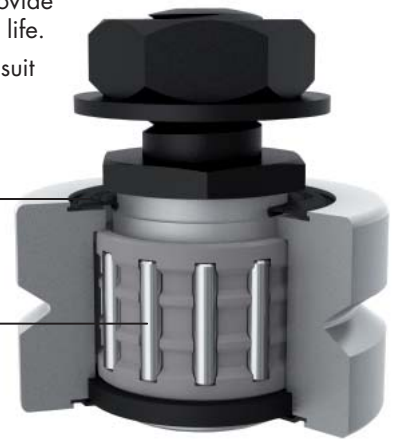
Details of the floating bearings are included in this datasheet. For more information or to suit a specific application please contact Hepco's Technical Department.

Nitrile Seals

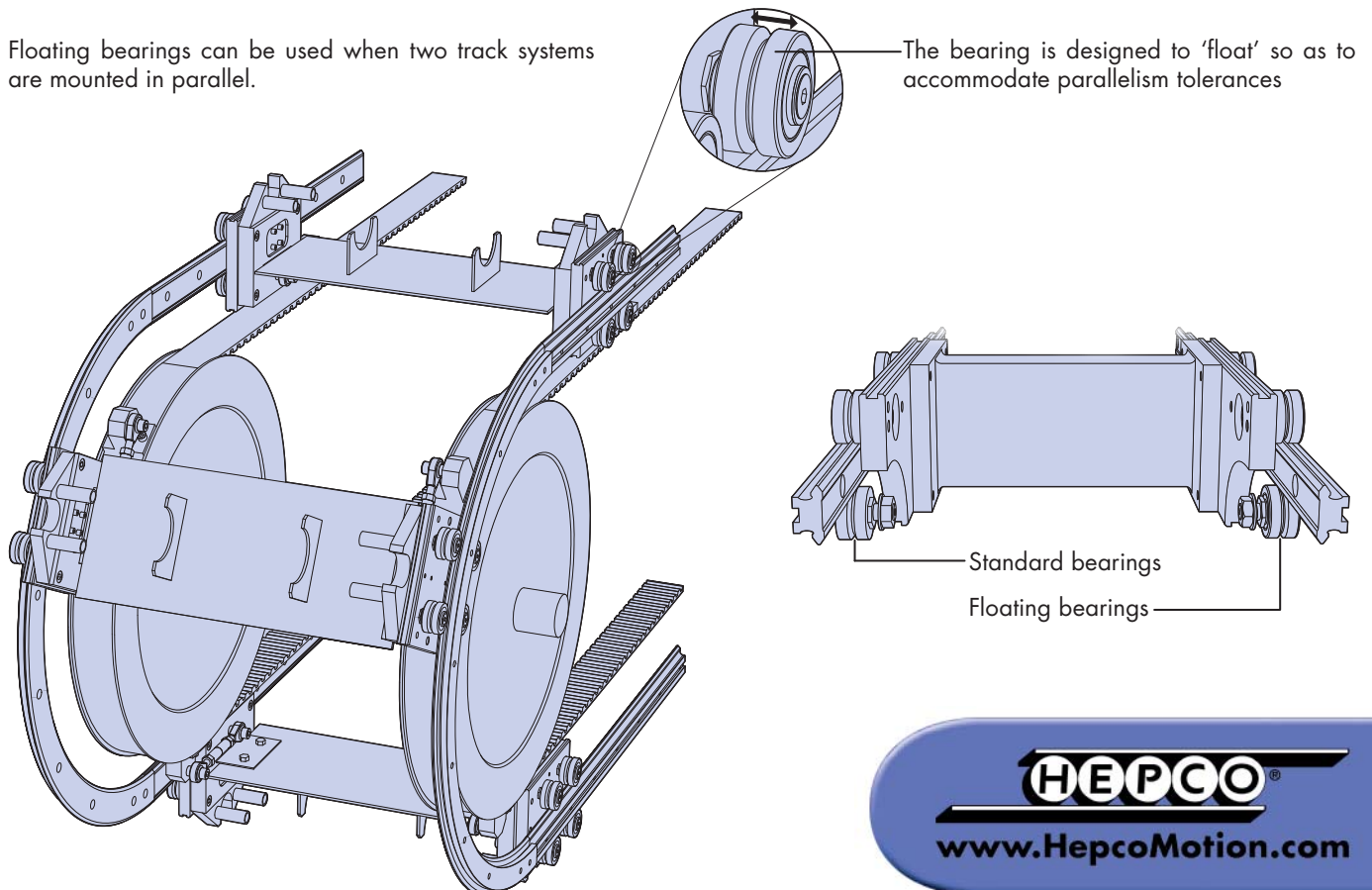
- Seal against the ingress of debris

Caged Needle Roller Bearings

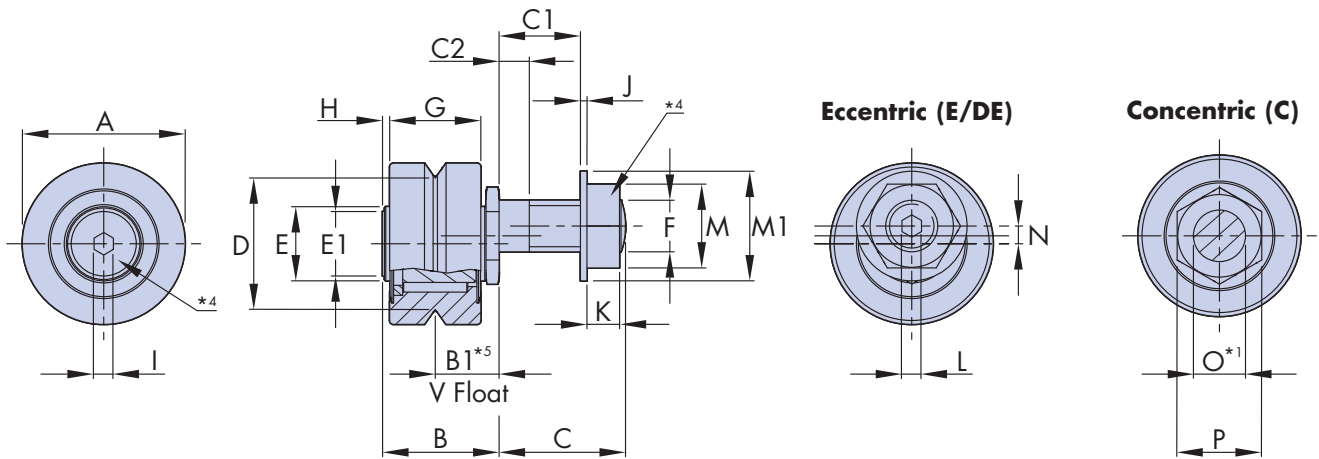
- Allows high speeds and lubrication for life



Floating bearings can be used when two track systems are mounted in parallel.



Floating Bearings



Short stud (SFJ) / Long stud (LFJ)

Part Number	For use with				A	B	B1*5		SFJ	LFJ	SFJ	LFJ	SFJ	LFJ	D ±0.025	E	E1	F Metric Fine	G	H nominal	I	J
							Min	Max														
... FJ25 ...	R25	NS	S	TNS	25	17.6	9	10.5	9.8	19	4	13	3.4	4.9	20.27	11.5	10	M8 x 1	14	0.8	3	1
... FJ34 ...	R44	NM	M	TNM	34	22.5	11.5	13.5	13.8	22	6	14	5.2	5.9	27.13	16	12	M10 x 1.25	18	1	4	1.25
... FJ54 ...	R76	NL	L	TNL	54	35.6	19	21.6	17.8	30	8	20	5.7	7.9	41.76	28	25	M14 x 1.5	28	1.3	8	1.6

K	L	M	M1	N*3		O*1 +0/-0.03	P	Adjusting Wrench	Socket Tool	~g	Max Working Load Capacity (N)*2	Bearing Static (Co) and Dynamic (C) Radial Load Capacities (N)*2		Part Number	
				Eccentric	Double Eccentric							Co	C		
5	3	13	17	0.75	2.75	8	13	AT25	RT8	58	60	1500	6100	4900	... FJ25 ...
6	4	17	21	1	3.6	10	15.2	AT34	RT10	130	135	3000	12500	11500	... FJ34 ...
8	6	22	28	1.5	5.5	14	27	AT54	RT14	495	505	5000	28900	21500	... FJ54 ...

Notes:

- It is recommended that holes to suit bearing mounting studs should be reamed to tolerance F6 for a sliding fit.
- The quoted static and dynamic load capacities use industry standard calculations and are only provided for comparison with other systems. Please use the Max Working Load figures, and the calculation methods from the Hepco GV3 catalogue, 58-61. In all cases, Hepco floating bearings will have a life as long or longer than the corresponding size of Hepco V bearings.
- The 'N' dimension is both the eccentric offset of the adjusting nut and the total adjustment available at the bearing centre line for 360° rotation of the adjusting nut.
- Fastenings are chemically blacked on the concentric version and bright zinc plated on the eccentric versions for identification purposes.
- The variation in the 'B1' dimension is the min/max axial movement of the V centre also referred to as 'V float'.
- Floating bearings cannot be incorporated into bogie carriages.

Ordering Details

Fixing type:
SFJ = Short Stud , **LFJ** = Long Stud

25 Bearing diameter (choose from 25, 34 & 54)

Journal Type:
C = Concentric (fixed), **E** = Eccentric (adjustable), **DE** = Double Eccentric (adjustable)

NS = Nitrile Sealed

SFJ **25** **(C)** **NS**

HepcoMotion®, Lower Moor Business Park,
Tiverton Way, Tiverton, Devon, England EX16 6TG

Tel: +44 (0) 1884 257000

Fax: +44 (0) 1884 243500

E-mail: sales@hepcotion.com



INVESTOR IN PEOPLE

