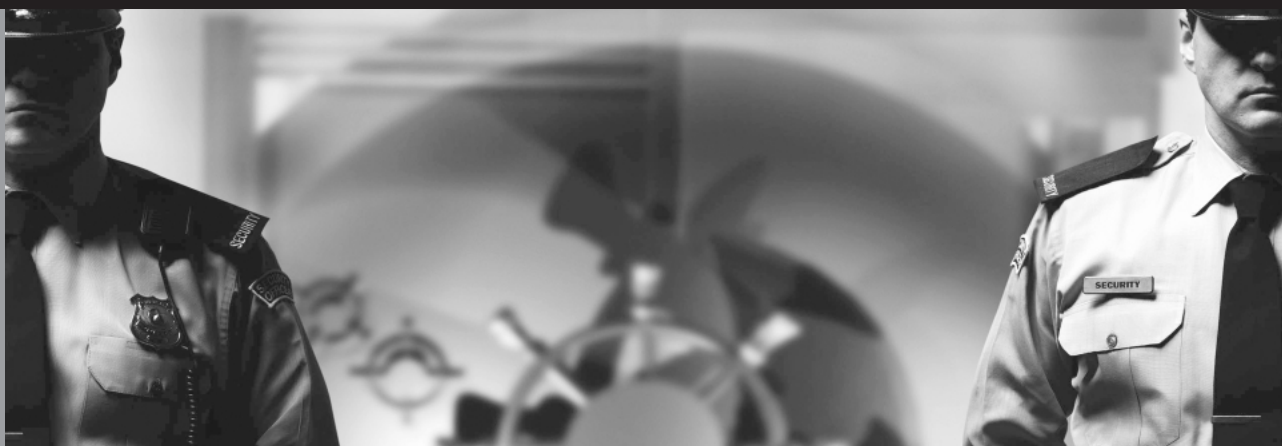
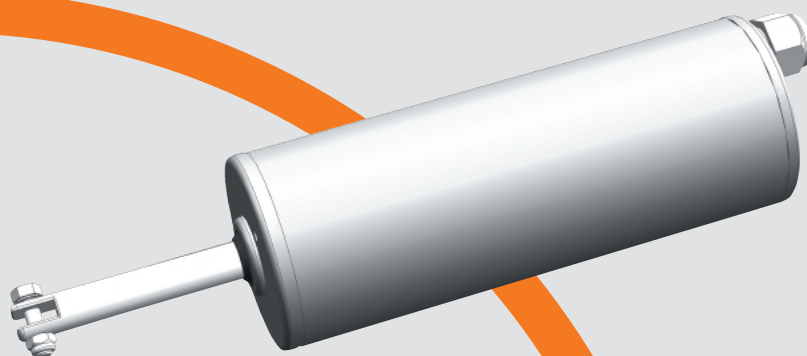


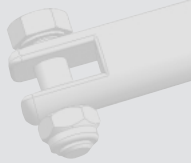
Linear actuator Lockmaster®



*Our reliable model
for secure locking*



Electromechanical linear actuator Lockmaster® for locking mechanisms



Description · Applications

Applications

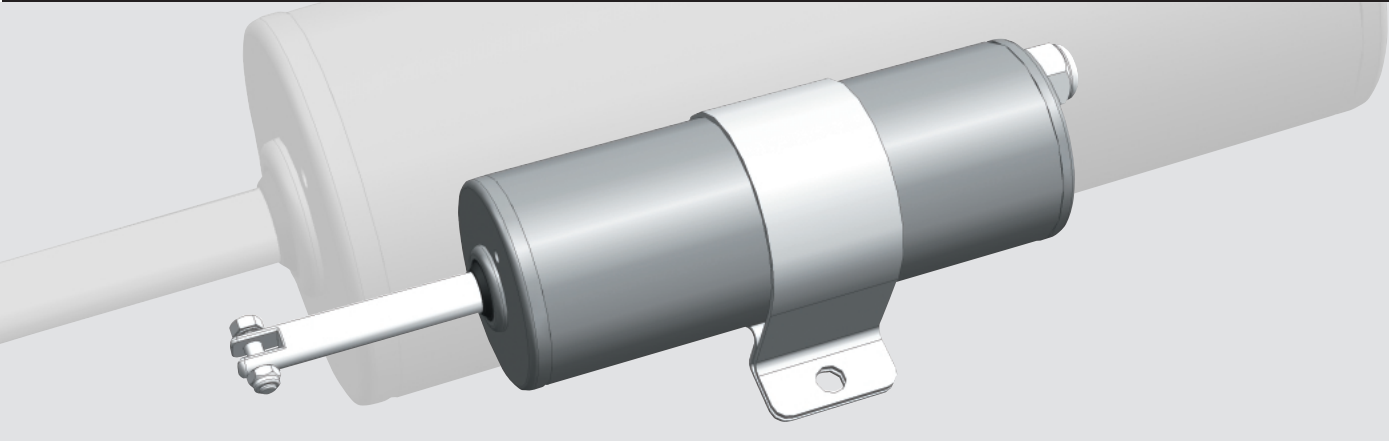
- **under extreme ambient conditions:**
 - outdoors
 - in underground sewer systems
 - underwater
- **for simple locking functions:**
 - locking of manhole covers
 - for access systems and doors
 - for increased security in buildings through the integration into centralised building management systems
 - locking of machine and plant components, e.g. in hydroelectric power plants, sewage treatment plants or sluices

The facts

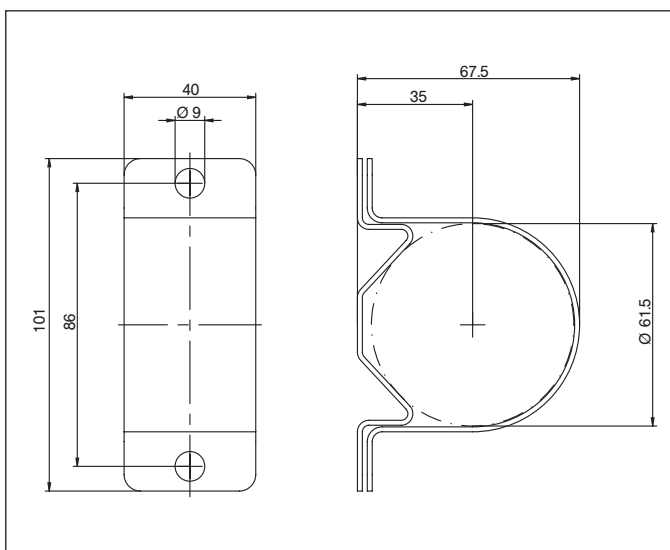
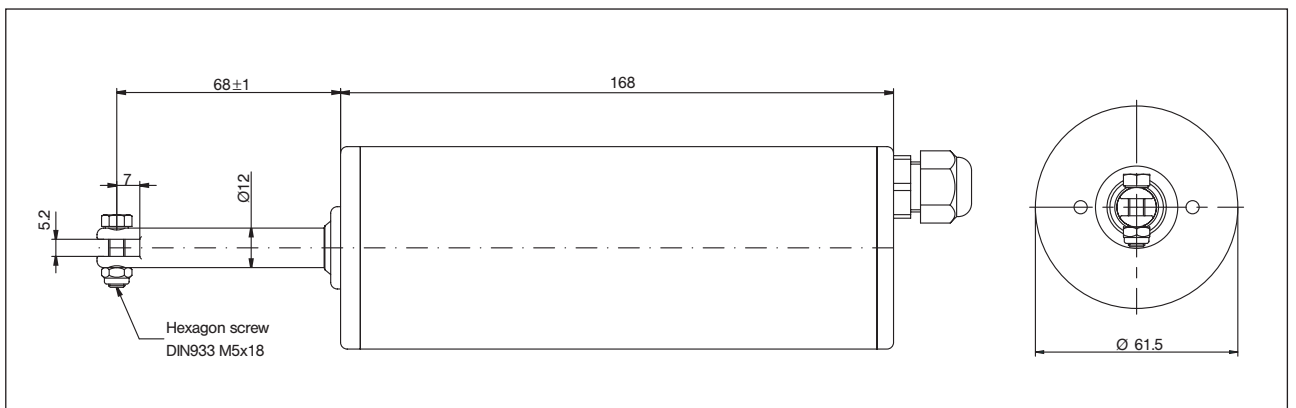
	Lockmaster®
Housing diameter (mm)	61.5
Housing length (mm)	168
Load (N)	50
Stroke speed (mm/s)	30
Stroke length (mm)	50
Fixing on piston end	clevis end
Piston rod	torsion lock
Limit switches	preset, no adjustment necessary
Operating voltage	230V AC / 50 Hz
Temperature range (°C)	-20 to +80
Nominal current	0.7A (160VA)
Rating	1 min
Housing / Fasteners	stainless steel 4301
Mounting position	flexible
Protection type	IP 67 at 0.1 bar (equivalent to a water depth of 1 m)

The advantages

- waterproof version
- protection type IP 67
- stainless steel housing
- compact dimensions
- torsion lock piston
- preset internal limit switches (no adjustment necessary)
- maintenance-free operation allows the use under extreme ambient conditions and in areas with limited accessibility.

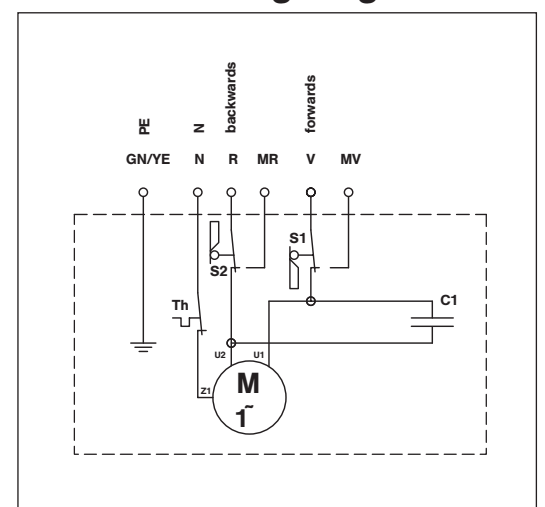


Dimensions / Fastening



Fastening clamp (option)

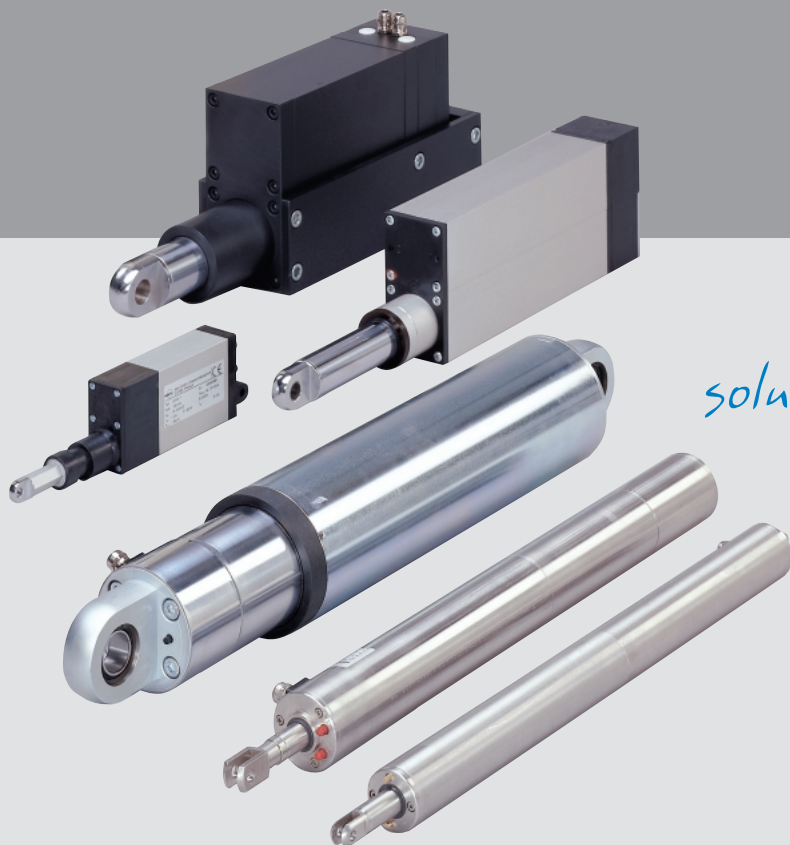
Standard wiring diagram



WS9805 / 230 V 1AC

Th = Thermal protection
 S1 = Limit switch piston rod out
 S2 = Limit switch piston rod in

elero linear actuators



*Tailor-made
solutions for everyone!*

Our wide product range offers powerful and high-quality solutions for an unlimited variety of applications.

Whatever you want to move – at elero you will find the linear actuator to suit your individual requirements.

Interested? Give us a call or send us a fax to receive more information.

We look forward to helping you – for at elero there is something for everyone!

elero GmbH

Linearantriebstechnik

Nassaeckerstrasse 11

D-07381 Poesneck

Phone +49 (0) 3647 / 46 07-0

Fax Reception +49 (0) 3647 / 46 07-40

Fax Purchasing department -41

Fax Sales department -42

Head office:

Linsenhofer Strasse 59-63

D-72660 Beuren

Phone +49 (0) 70 25 / 13-02

Fax Reception +49 (0) 70 25 / 13-212

info@elero-linear.de

www.elero-linear.com